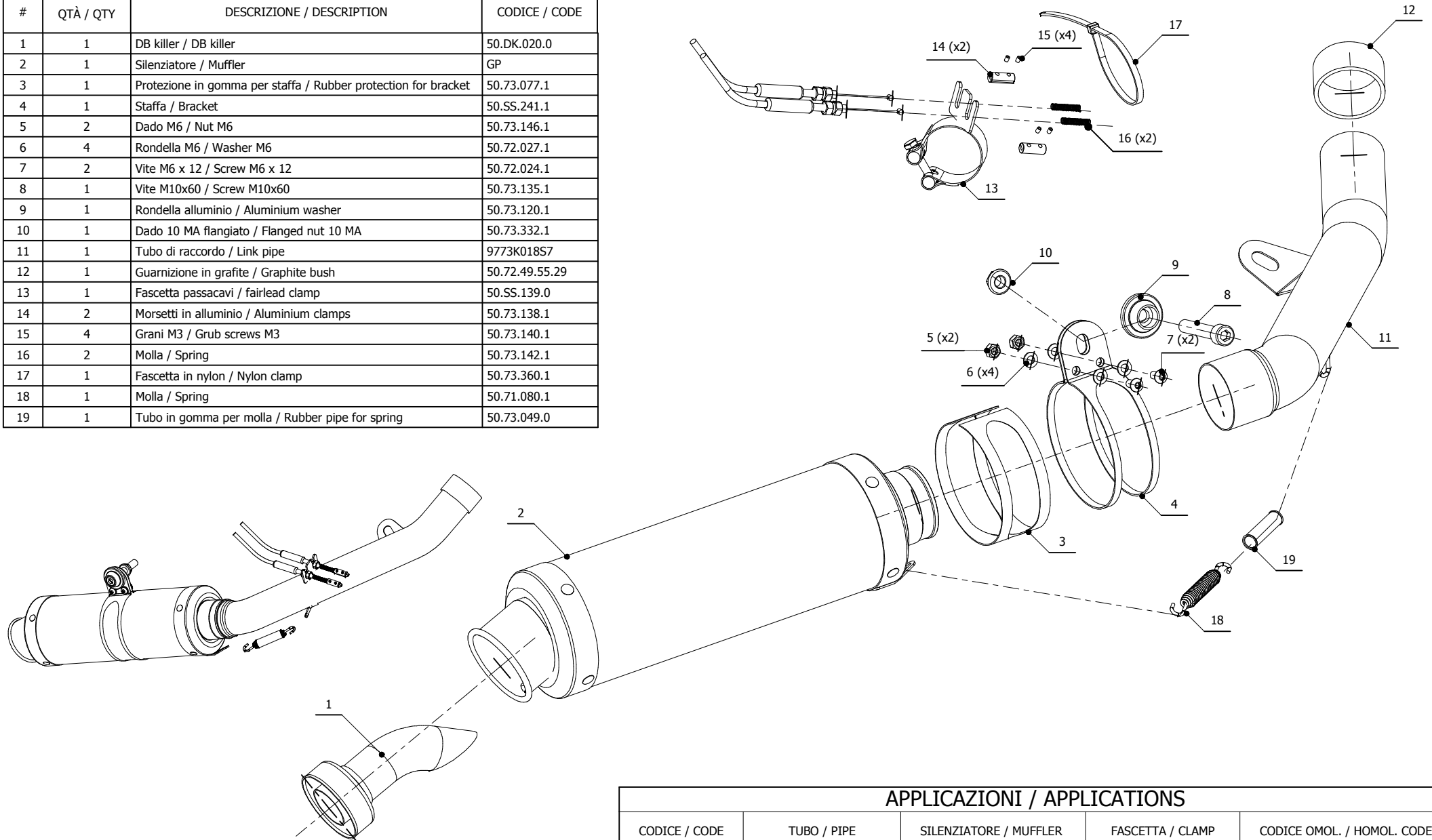


ELENCO PARTI / PARTS LIST

#	QTÀ / QTY	DESCRIZIONE / DESCRIPTION	CODICE / CODE
1	1	DB killer / DB killer	50.DK.020.0
2	1	Silenziatore / Muffler	GP
3	1	Protezione in gomma per staffa / Rubber protection for bracket	50.73.077.1
4	1	Staffa / Bracket	50.SS.241.1
5	2	Dado M6 / Nut M6	50.73.146.1
6	4	Rondella M6 / Washer M6	50.72.027.1
7	2	Vite M6 x 12 / Screw M6 x 12	50.72.024.1
8	1	Vite M10x60 / Screw M10x60	50.73.135.1
9	1	Rondella alluminio / Aluminium washer	50.73.120.1
10	1	Dado 10 MA flangiato / Flanged nut 10 MA	50.73.332.1
11	1	Tubo di raccordo / Link pipe	9773K018S7
12	1	Guarnizione in grafite / Graphite bush	50.72.49.55.29
13	1	Fascetta passacavi / fairlead clamp	50.SS.139.0
14	2	Morsetti in alluminio / Aluminium clamps	50.73.138.1
15	4	Grani M3 / Grub screws M3	50.73.140.1
16	2	Molla / Spring	50.73.142.1
17	1	Fascetta in nylon / Nylon clamp	50.73.360.1
18	1	Molla / Spring	50.71.080.1
19	1	Tubo in gomma per molla / Rubber pipe for spring	50.73.049.0



APPLICAZIONI / APPLICATIONS

CODICE / CODE	TUBO / PIPE	SILENZIATORE / MUFFLER	FASCETTA / CLAMP	CODICE OMOL. / HOMOL. CODE
74.K.018.LXS	INOX / ST. STEEL	INOX / ST. STEEL	INOX / ST. STEEL	ME008 e9 1176