



MODEL KAWASAKI Z 1000

YEAR 2007-->

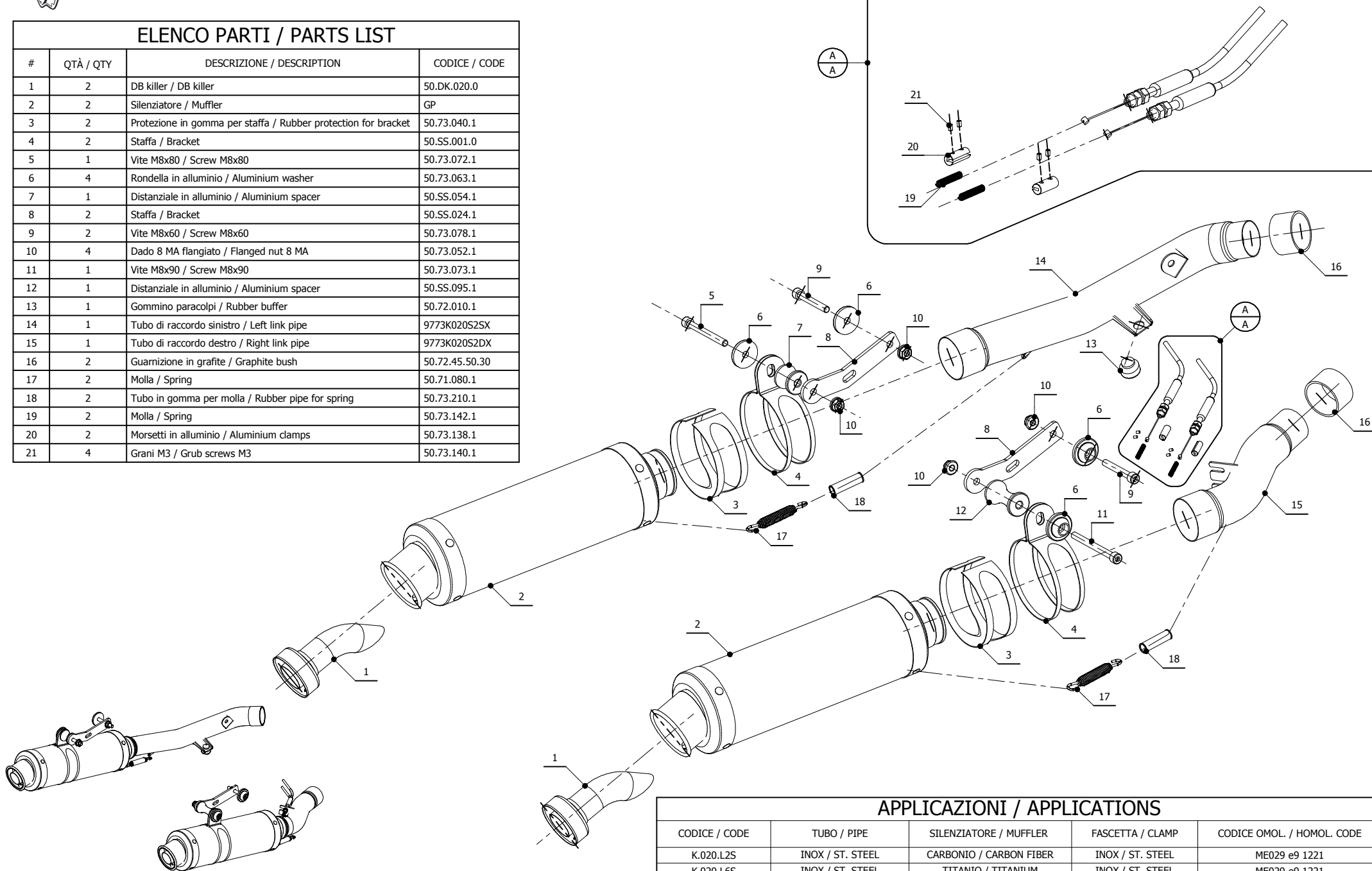
LINE SPORT

MUFFLER GP

SCHEMATIC

ELENCO PARTI / PARTS LIST

#	QTÀ / QTY	DESCRIZIONE / DESCRIPTION	CODICE / CODE
1	2	DB killer / DB killer	50.DK.020.0
2	2	Silenziatore / Muffler	GP
3	2	Protezione in gomma per staffa / Rubber protection for bracket	50.73.040.1
4	2	Staffa / Bracket	50.SS.001.0
5	1	Vite M8x80 / Screw M8x80	50.73.072.1
6	4	Rondella in alluminio / Aluminium washer	50.73.063.1
7	1	Distanziale in alluminio / Aluminium spacer	50.SS.054.1
8	2	Staffa / Bracket	50.SS.024.1
9	2	Vite M8x60 / Screw M8x60	50.73.078.1
10	4	Dado 8 MA flangiato / Flanged nut 8 MA	50.73.052.1
11	1	Vite M8x90 / Screw M8x90	50.73.073.1
12	1	Distanziale in alluminio / Aluminium spacer	50.SS.095.1
13	1	Gommino paracolpi / Rubber buffer	50.72.010.1
14	1	Tubo di raccordo sinistro / Left link pipe	9773K020S2SX
15	1	Tubo di raccordo destro / Right link pipe	9773K020S2DX
16	2	Guarnizione in grafite / Graphite bush	50.72.45.50.30
17	2	Molla / Spring	50.71.080.1
18	2	Tubo in gomma per molla / Rubber pipe for spring	50.73.210.1
19	2	Molla / Spring	50.73.142.1
20	2	Morsetti in alluminio / Aluminium clamps	50.73.138.1
21	4	Grani M3 / Grub screws M3	50.73.140.1



APPLICAZIONI / APPLICATIONS

CODICE / CODE	TUBO / PIPE	SILENZIATORE / MUFFLER	FASCETTA / CLAMP	CODICE OMOL. / HOMOL. CODE
K.020.L2S	INOX / ST. STEEL	CARBONIO / CARBON FIBER	INOX / ST. STEEL	ME029 e9 1221
K.020.L6S	INOX / ST. STEEL	TITANIO / TITANIUM	INOX / ST. STEEL	ME029 e9 1221