



MODEL KAWASAKI Z 1000

YEAR 2007-->

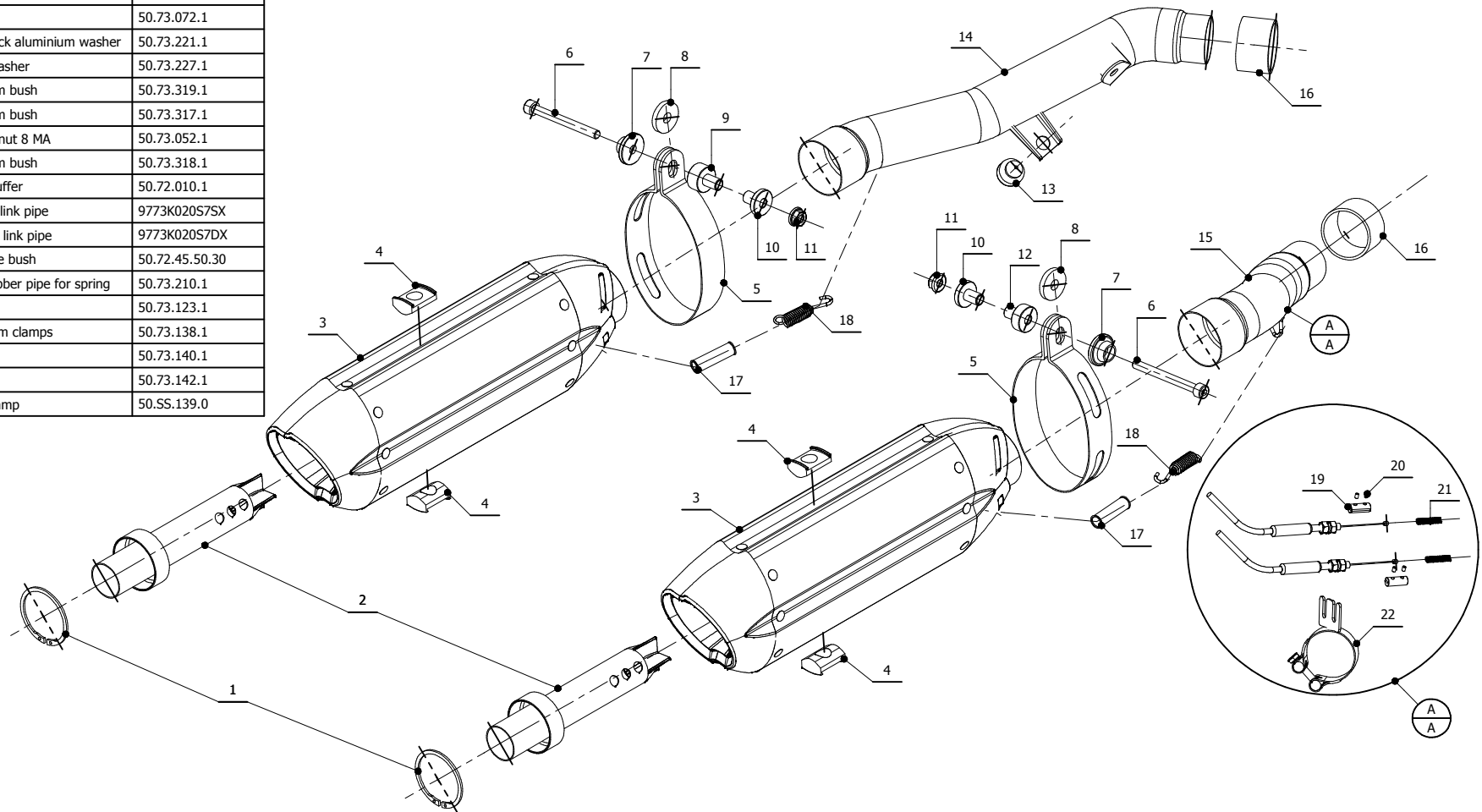
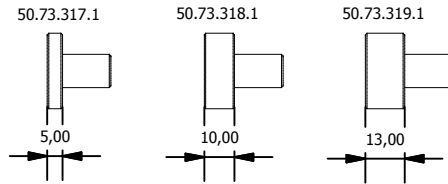
LINE SPORT

MUFFLER SUONO

SCHEMATIC

ELENCO PARTI / PARTS LIST

#	QTÀ / QTY	DESCRIZIONE / DESCRIPTION	CODICE / CODE
1	2	Anello Seger / Seger ring	50.73.218.1
2	2	DB killer / DB killer	50.DK.024.0
3	2	Silenziatore / Muffler	SUONO
4	4	Tassello grande / Rubber big block	50.73.203.1
5	2	Staffa in carbonio / Carbon fiber bracket	50.SS.180.1
6	2	Vite M8x80 / Screw M8x80	50.73.072.1
7	2	Rondella in alluminio nera / Black aluminium washer	50.73.221.1
8	2	Rondella in gomma / Rubber washer	50.73.227.1
9	1	Bussola in alluminio / Aluminium bush	50.73.319.1
10	2	Bussola in alluminio / Aluminium bush	50.73.317.1
11	2	Dado 8 MA flangiato / Flanged nut 8 MA	50.73.052.1
12	1	Bussola in alluminio / Aluminium bush	50.73.318.1
13	1	Gommino paracolpi / Rubber buffer	50.72.010.1
14	1	Tubo di raccordo sinistro / Left link pipe	9773K020S7SX
15	1	Tubo di raccordo destro / Right link pipe	9773K020S7DX
16	2	Guarnizione in grafite / Graphite bush	50.72.45.50.30
17	2	Tubo in gomma per molla / Rubber pipe for spring	50.73.210.1
18	2	Molla corta / Short Spring	50.73.123.1
19	2	Morsetti in alluminio / Aluminium clamps	50.73.138.1
20	4	Grani M3 / Grub screws M3	50.73.140.1
21	2	Molla / Spring	50.73.142.1
22	1	Fascetta passacavi / fairlead clamp	50.SS.139.0



APPLICAZIONI / APPLICATIONS

CODICE / CODE	TUBO / PIPE	SILENZIATORE / MUFFLER	FASCETTA / CLAMP	CODICE OMOL. / HOMOL. CODE
K.020.L7	INOX / ST. STEEL	INOX (COPPE CARBONIO) / ST. STEEL (CARBON CAPS)	CARBONIO / CARBON FIBER	ME029 e9 1221
K.020.L9	INOX / ST. STEEL	CARBONIO (COPPE CARBONIO) / CARBON (CARBON CAPS)	CARBONIO / CARBON FIBER	ME029 e9 1221