



**MODEL** SUZUKI GSR 750

**YEAR** 2011 - 2016

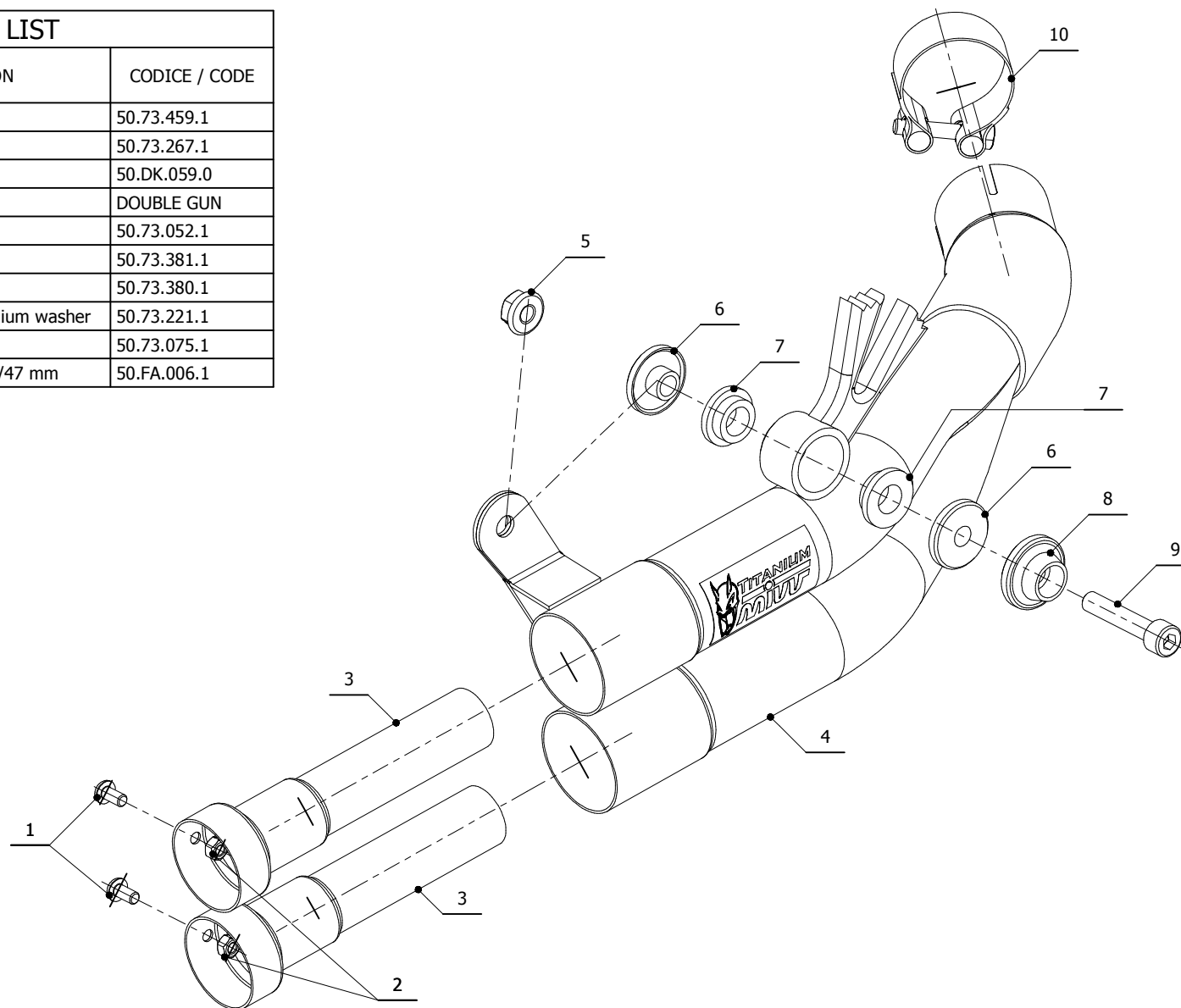
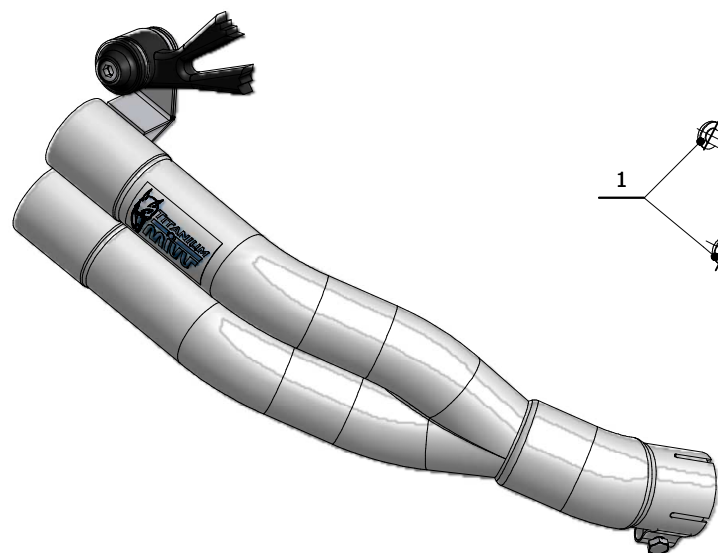
**LINE** SLIP ON

**MUFFLER** DOUBLE GUN

**SCHEMATIC**

**ELENCO PARTI / PARTS LIST**

#	QTÀ / QTY	DESCRIZIONE / DESCRIPTION	CODICE / CODE
1	2	Vite M5 x 8 / Screw M5 x 8	50.73.459.1
2	2	Dado M5 / M5 nut	50.73.267.1
3	2	DB killer / DB killer	50.DK.059.0
4	1	Silenziatore / Muffler	DOUBLE GUN
5	1	Dado M8 flangiato / Flanged nut M8	50.73.052.1
6	2	Boccola / Bush	50.73.381.1
7	2	Silentblock / Silentblock	50.73.380.1
8	1	Rondella in alluminio nera / Black aluminium washer	50.73.221.1
9	1	Vite M8x40 / Screw M8x40	50.73.075.1
10	1	Fascetta Ø 44/47 mm / Pipe clamp Ø 44/47 mm	50.FA.006.1



**APPLICAZIONI / APPLICATIONS**

CODICE / CODE	SILENZIATORE / MUFFLER
S.037.SDG	TITANIO / TITANIUM
S.037.SDGB	INOX BLACK / BLACK ST. STEEL