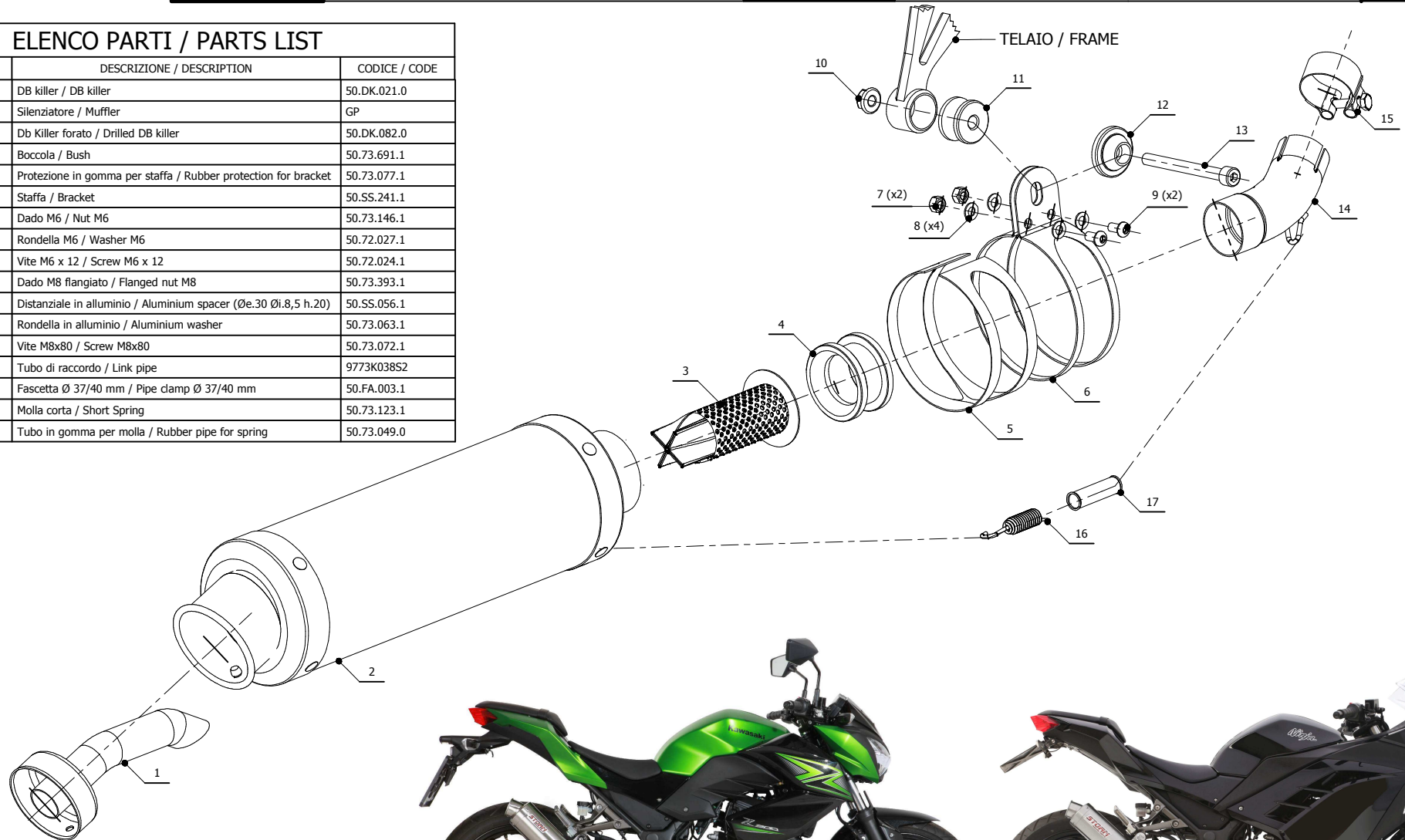


**ELENCO PARTI / PARTS LIST**

#	QTÀ / QTY	DESCRIZIONE / DESCRIPTION	CODICE / CODE
1	1	DB killer / DB killer	50.DK.021.0
2	1	Silenziatore / Muffler	GP
3	1	Db Killer forato / Drilled DB killer	50.DK.082.0
4	1	Boccola / Bush	50.73.691.1
5	1	Protezione in gomma per staffa / Rubber protection for bracket	50.73.077.1
6	1	Staffa / Bracket	50.SS.241.1
7	2	Dado M6 / Nut M6	50.73.146.1
8	4	Rondella M6 / Washer M6	50.72.027.1
9	2	Vite M6 x 12 / Screw M6 x 12	50.72.024.1
10	1	Dado M8 flangiato / Flanged nut M8	50.73.393.1
11	1	Distanziale in alluminio / Aluminium spacer (Øe.30 Øi.8,5 h.20)	50.SS.056.1
12	1	Rondella in alluminio / Aluminium washer	50.73.063.1
13	1	Vite M8x80 / Screw M8x80	50.73.072.1
14	1	Tubo di raccordo / Link pipe	9773K038S2
15	1	Fascetta Ø 37/40 mm / Pipe clamp Ø 37/40 mm	50.FA.003.1
16	1	Molla corta / Short Spring	50.73.123.1
17	1	Tubo in gomma per molla / Rubber pipe for spring	50.73.049.0



**APPLICAZIONI / APPLICATIONS**

CODICE / CODE	TUBO / PIPE	SILENZIATORE / MUFFLER	FASCETTA / CLAMP
74.K.038.LXS	INOX / ST. STEEL	INOX / ST. STEEL	INOX / ST. STEEL