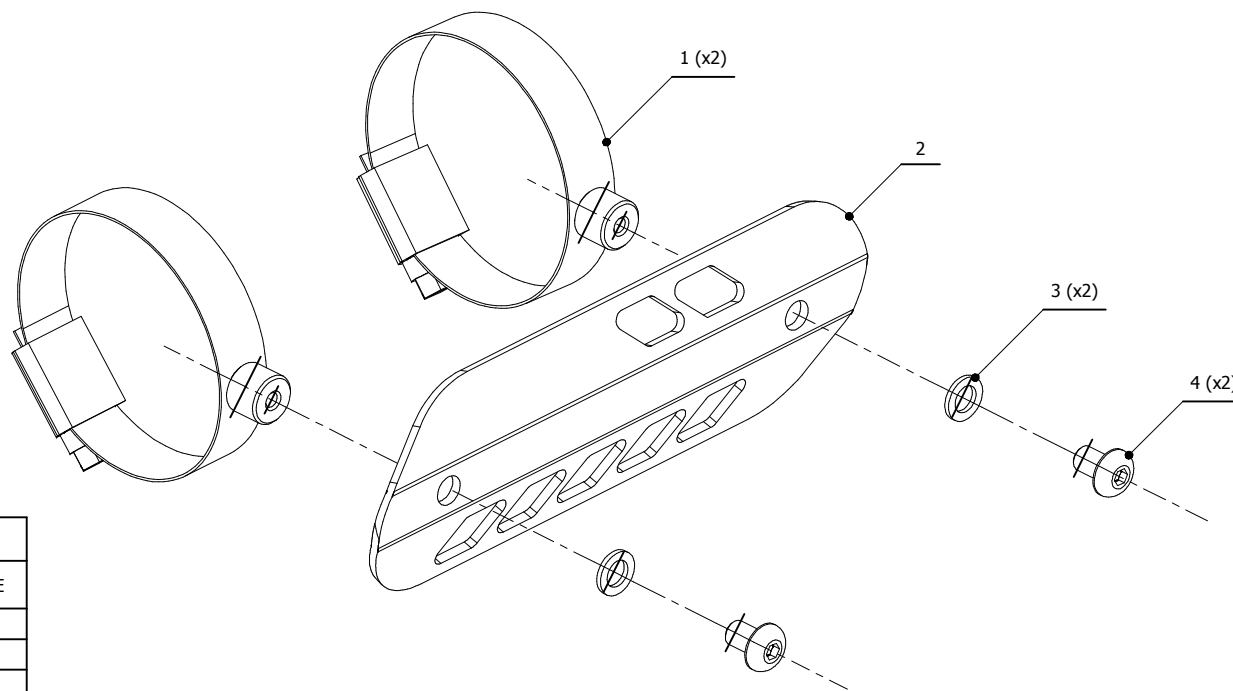




CODE ACC.069.0

LINE Cover paracalore / Heat shield cover

SCHEMATIC



ELENCO PARTI / PARTS LIST

#	QTÀ / QTY	DESCRIZIONE / DESCRIPTION	CODICE / CODE
1	2	Fascetta con bussola / Pipe clamp with bush	50.73.795.0
2	1	Paracalore in alluminio / Aluminium cover	50.CR.012.0
3	2	Rondella M5 / Washer M5	50.73.351.1
4	2	Vite M5 x 8 / Screw M5 x 8	50.73.233.1

