



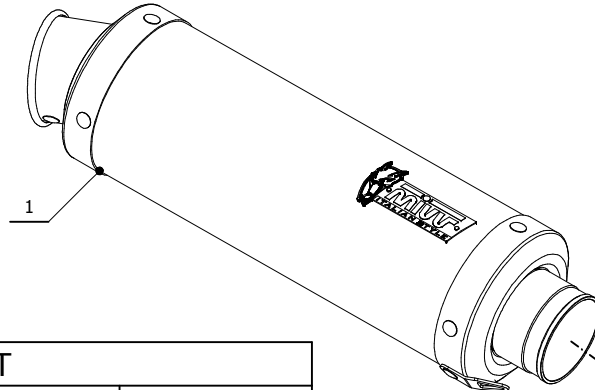
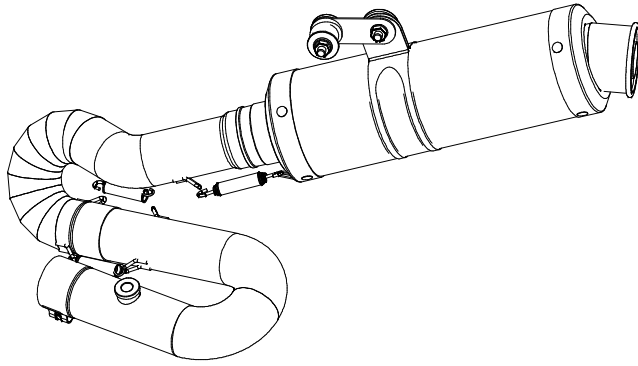
MODEL HONDA CBR1000 RR

YEAR 2008-2013

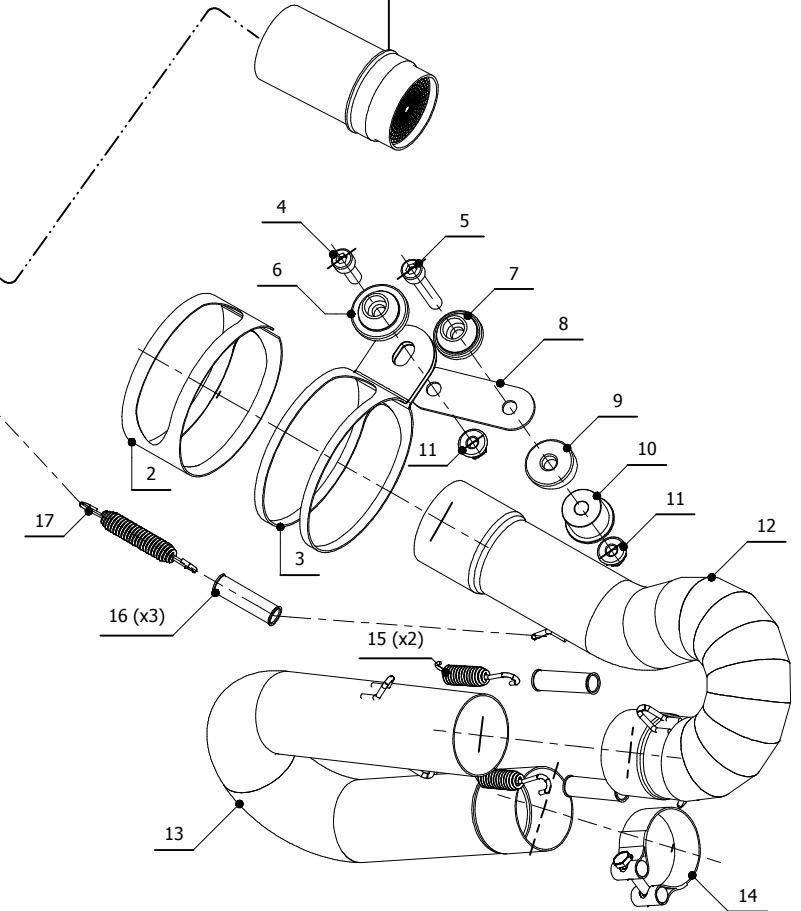
LINE SLIP ON

MUFFLER GP

SCHEMATIC



Catalytic Converter
Cod. ACC.033.A1
Optional for H.039.L2S - H.039.L6S - H.039.LXB
Included in H.039.K2S - H.039.K6S - H.039.KXB



ELENCO PARTI / PARTS LIST

#	QTÀ / QTY	DESCRIZIONE / DESCRIPTION	CODICE / CODE
1	1	Silenziatore / Muffler	GP
2	1	Protezione in gomma per staffa / Rubber protection for bracket	50.73.040.1
3	1	Staffa / Bracket	50.SS.001.0
4	1	Vite M8x25 / Screw M8x25	50.73.064.1
5	1	Vite M8x50 / Screw M8x50	50.73.074.1
6	1	Rondella in alluminio / Aluminium washer	50.73.063.1
7	1	Rondella alluminio / Aluminium washer	50.73.291.1
8	1	Staffa / Bracket	50.SS.003.0
9	1	Distanziale in alluminio / Aluminium spacer	50.SS.143.1
10	1	Bussola in alluminio / Aluminium bush	50.73.290.1
11	2	Dado M8 flangiato / Flanged nut M8	50.73.393.1
12	1	Tubo di raccordo / Link pipe	9773H039S2B
13	1	Tubo di raccordo / Link pipe	9773H039S2A
14	1	Fascetta Ø 48/51 mm / Pipe clamp Ø 48/51 mm	50.FA.007.1
15	2	Molla corta / Short Spring	50.73.123.1
16	3	Tubo in gomma per molla / Rubber pipe for spring	50.73.210.1
17	1	Molla lunga / Long spring	50.71.080.1
—	1	DB killer / DB killer	50.DK.020.0

APPLICAZIONI / APPLICATIONS

CODICE / CODE	SILENZIATORE / MUFFLER	TUBO / PIPE	FASCETTA / CLAMP	NOTE
H.039.L2S H.039.L6S H.039.LXB	CARBONIO / CARBON FIBER TITANIO / TITANIUM STEEL BLACK	INOX / ST. STEEL	INOX / ST. STEEL	CATALYTIC CONVERTER NOT INCLUDED
H.039.K2S H.039.K6S H.039.KXB	CARBONIO / CARBON FIBER TITANIO / TITANIUM STEEL BLACK	INOX / ST. STEEL	INOX / ST. STEEL	CATALYTIC CONVERTER INCLUDED