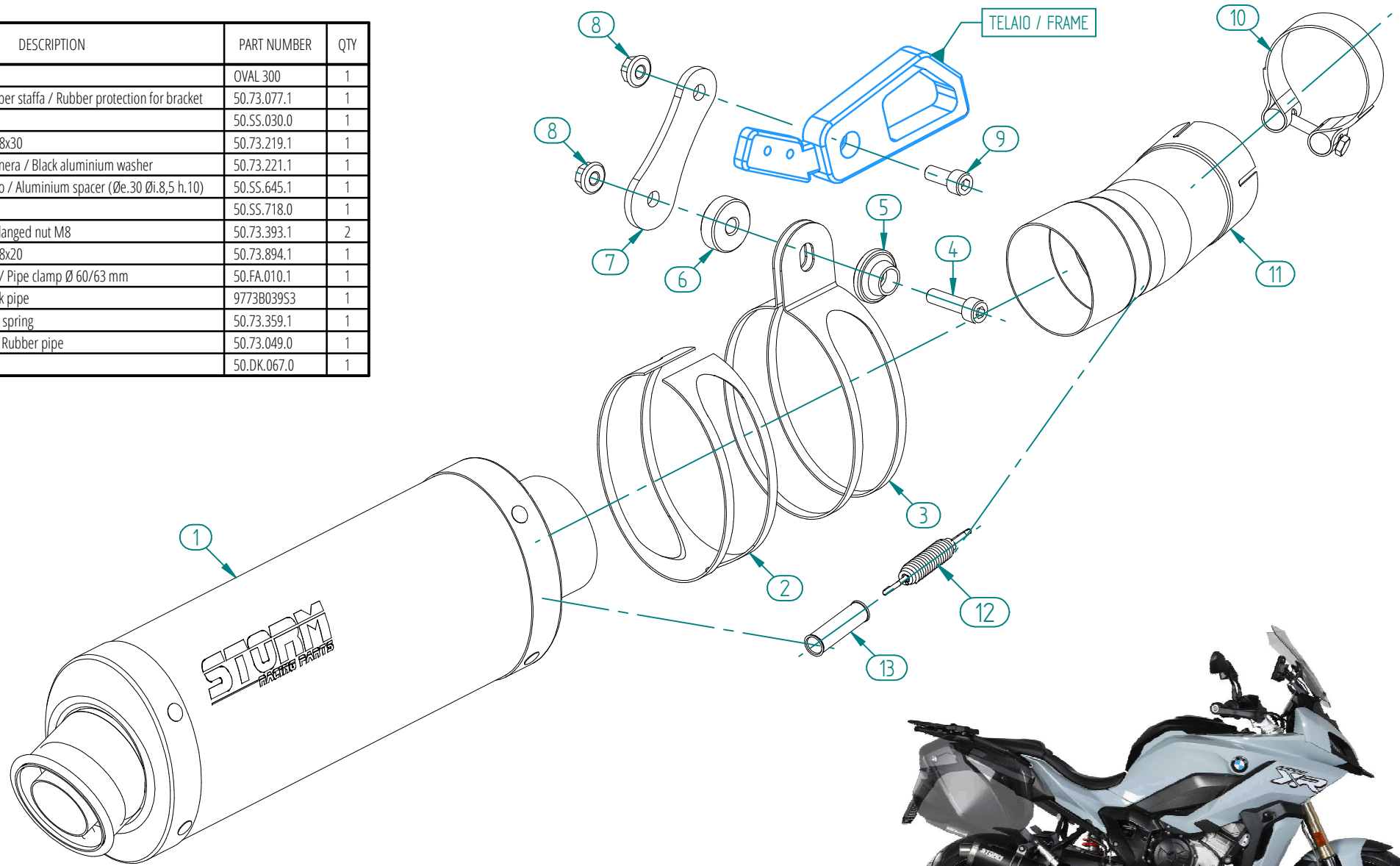


#	DESCRIPTION	PART NUMBER	QTY
1	Silenziatore / Muffler	OVAL 300	1
2	Protezione in gomma per staffa / Rubber protection for bracket	50.73.077.1	1
3	Staffa / Bracket	50.SS.030.0	1
4	Vite M8x30 / Screw M8x30	50.73.219.1	1
5	Rondella in alluminio nera / Black aluminium washer	50.73.221.1	1
6	Distanziale in alluminio / Aluminium spacer (Øe.30 Øi.8,5 h.10)	50.SS.645.1	1
7	Staffa / Bracket	50.SS.718.0	1
8	Dado M8 flangiato / Flanged nut M8	50.73.393.1	2
9	Vite M8x20 / Screw M8x20	50.73.894.1	1
10	Fascetta Ø 60/63 mm / Pipe clamp Ø 60/63 mm	50.FA.010.1	1
11	Tubo di raccordo / Link pipe	9773B039S3	1
12	Molla media / Middle spring	50.73.359.1	1
13	Gommino per molla / Rubber pipe	50.73.049.0	1
-	DB killer / DB killer	50.DK.067.0	1



APPLICAZIONI / APPLICATIONS			
CODICE / CODE	SILENZIATORE / MUFFLER	TUBO / PIPE	FASCETTA / CLAMP
74.B.039.LX1	INOX / ST. STEEL	INOX / ST. STEEL	INOX / ST. STEEL
74.B.039.LX1B	STEEL BLACK		

