



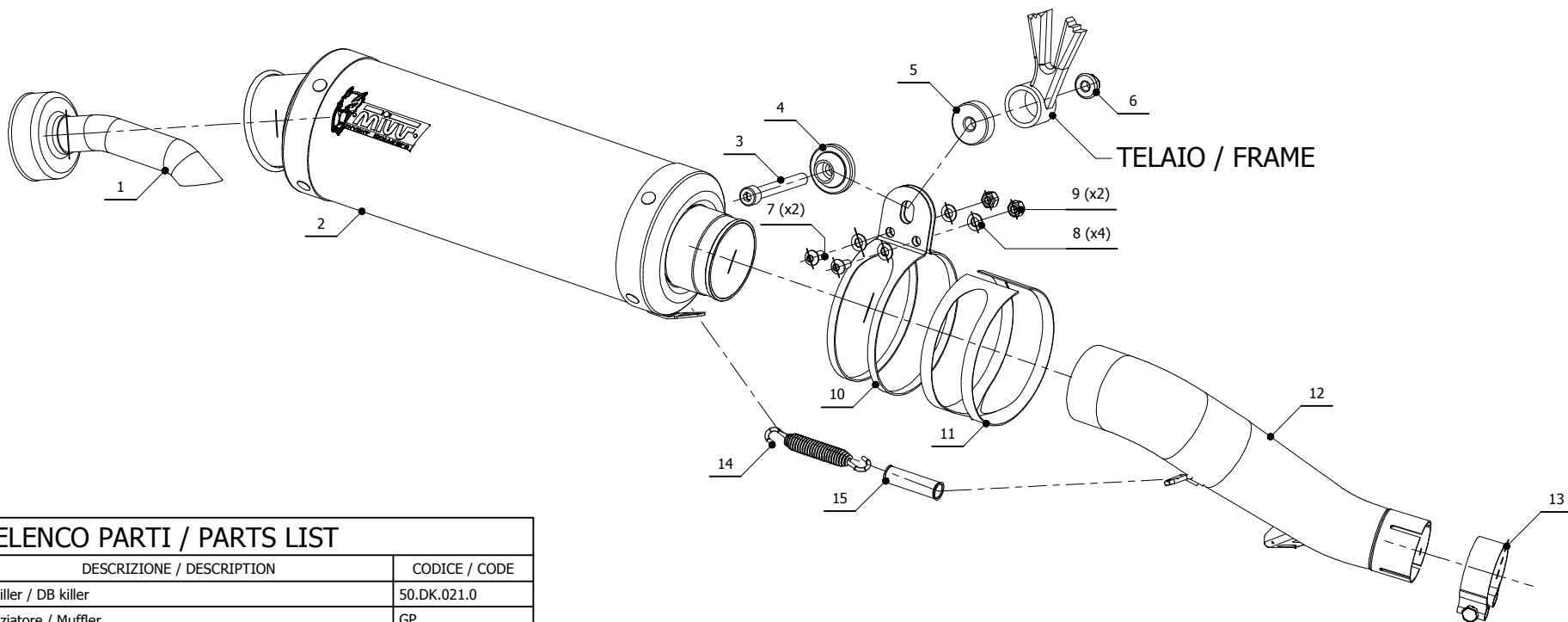
MODEL HONDA CB 500 F

YEAR 2016-2018

LINE SLIP ON

MUFFLER GP

SCHEMATIC



ELENCO PARTI / PARTS LIST

| # | QTÀ / QTY | DESCRIZIONE / DESCRIPTION | CODICE / CODE |
|----|-----------|---|---------------|
| 1 | 1 | DB killer / DB killer | 50.DK.021.0 |
| 2 | 1 | Silenziatore / Muffler | GP |
| 3 | 1 | Vite M8x65 / Screw M8x65 | 50.73.603.1 |
| 4 | 1 | Rondella in alluminio / Aluminium washer | 50.73.063.1 |
| 5 | 1 | Distanziale in alluminio / Aluminium spacer (Øe.30 Øi.8,5 h.10) | 50.SS.645.1 |
| 6 | 1 | Dado M8 flangiato / Flanged nut M8 | 50.73.393.1 |
| 7 | 2 | Vite M6 x 12 / Screw M6 x 12 | 50.72.024.1 |
| 8 | 4 | Rondella M6 / Washer M6 | 50.72.027.1 |
| 9 | 2 | Dado M6 / Nut M6 | 50.73.146.1 |
| 10 | 1 | Staffa / Bracket | 50.SS.241.1 |
| 11 | 1 | Protezione in gomma per staffa / Rubber protection for bracket | 50.73.077.1 |
| 12 | 1 | Tubo di raccordo / Link pipe | 9773H062S2 |
| 13 | 1 | Fascetta Ø 44/47 mm / Pipe clamp Ø 44/47 mm | 50.FA.006.1 |
| 14 | 1 | Molla media / Mid-size spring | 50.73.359.1 |
| 15 | 1 | Tubo in gomma per molla / Rubber pipe for spring | 50.73.210.1 |

APPLICAZIONI / APPLICATIONS

| CODICE / CODE | TUBO / PIPE | SILENZIATORE / MUFFLER | FASCETTA / CLAMP |
|-------------------------------------|------------------|--|------------------|
| H.062.L2S H.062.L6S H.062.LXB | INOX / ST. STEEL | CARBONIO / CARBON FIBER TITANIO / TITANIUM STEEL BLACK | INOX / ST. STEEL |

