



KTM 790 ADVENTURE / R
KTM 890 ADVENTURE / R

2019-2020 / 2021-->
2020 -->

KTM 890 SMT 2023 -->

OVAL
CARBON CAP

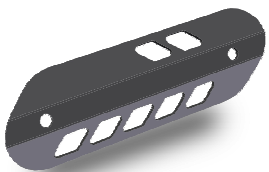
#	DESCRIPTION	PART NUMBER	QTY
1	Silenziatore / Muffler - db killer 50.DK.067.0	OVAL CARBON CAP	1
2	Vite M8x20 / Screw M8x20	50.73.894.1	1
3	Rondella in alluminio nera / Black aluminium washer	50.73.221.1	1
4	Staffa / Bracket	50.SS.1155.0	1
5	Rondella di sicurezza / Safety washer	50.73.604.1	2
6	Vite M8 x 16 / Screw M8 x 16	50.73.098.1	2
7	Tubo di raccordo / Link pipe	9773KT021SE	1
8	Dado rapido M5 / M5 cage nut	50.73.674.1	2
9	Cover in carbonio / Carbon cover	50.CR.047.0	1
10	Rondella M5 / Washer M5	50.73.351.1	2
11	Vite M5 x 8 / Screw M5 x 8	50.73.233.1	2
12	Molla media / Mid-size spring	50.73.359.1	1
13	Gommino per molla / Rubber pipe	50.73.210.1	1

OPTIONAL PARTS

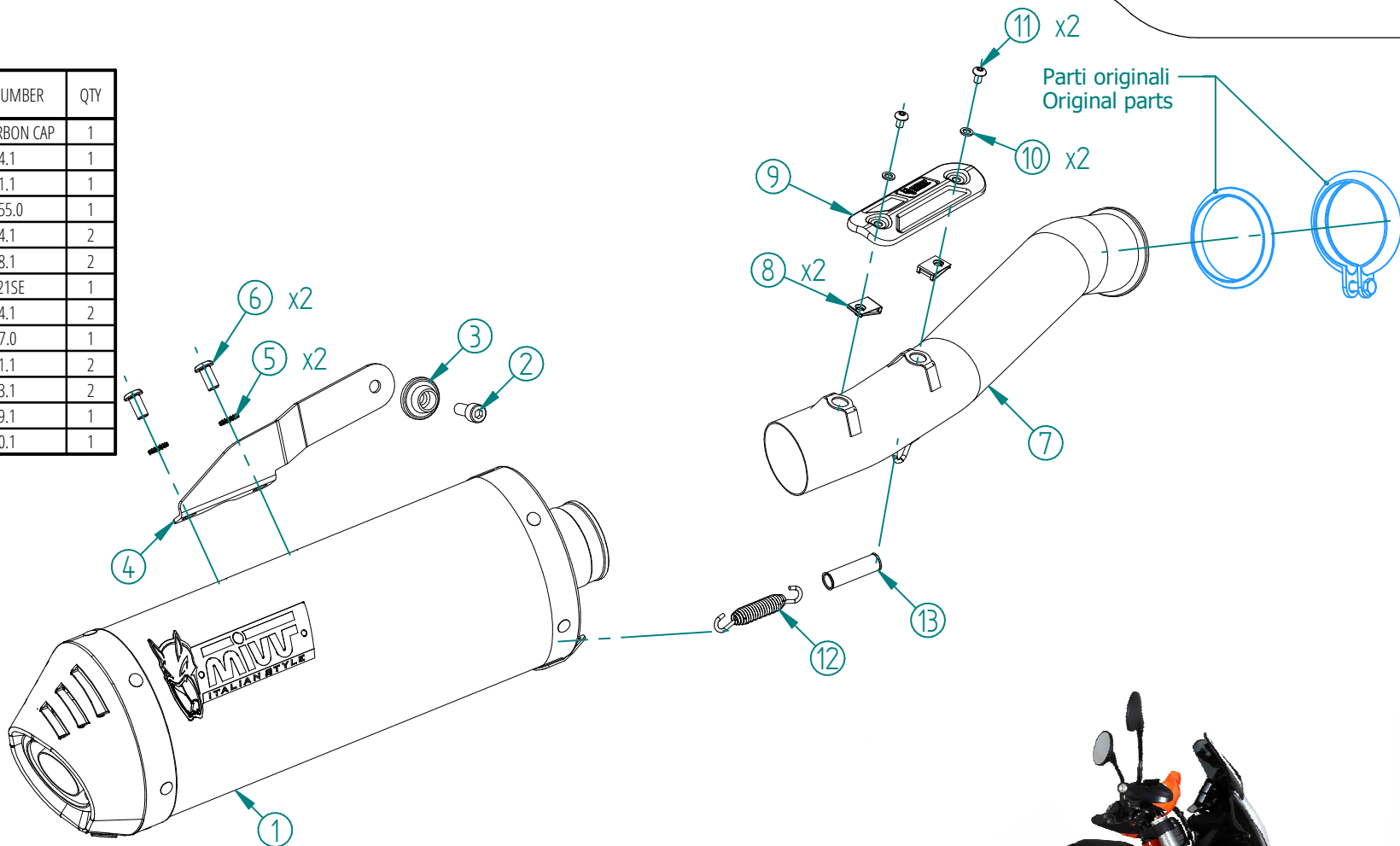


Tubo no kat - No kat pipe
KT.020.C1

Monta sia con silenziatore MIVV che con lo scarico originale
It fits both MIVV and genuine silencer



Carter in alluminio - Aluminium cover
00.73.ACC.069.0



APPLICAZIONI / APPLICATIONS			
CODICE / CODE	SILENZIATORE / MUFFLER	TUBO / PIPE	FASCETTA / CLAMP
KT.021.LEC	CARBONIO (COPPA CARBONIO) / CARBON (CARBON CAP)	INOX / ST. STEEL	///
KT.021.LNC	TITANIO (COPPA CARBONIO) / TITANIUM (CARBON CAP)	INOX / ST. STEEL	///

